

TOORX
PROFESSIONAL LINE

Dansk Manual



WLX2800



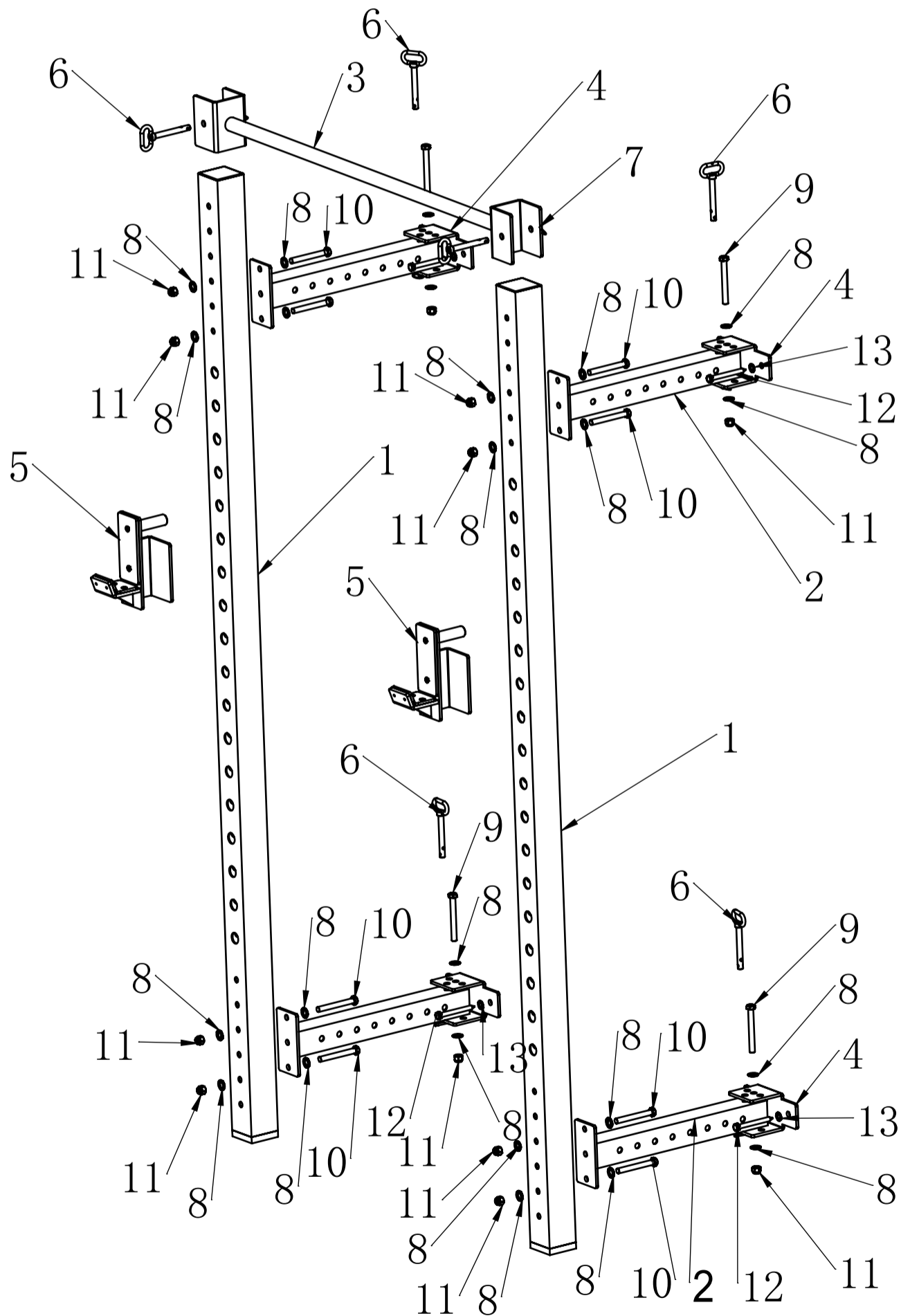
Cod: GRLDTOORXWLX2800

Rev : 00

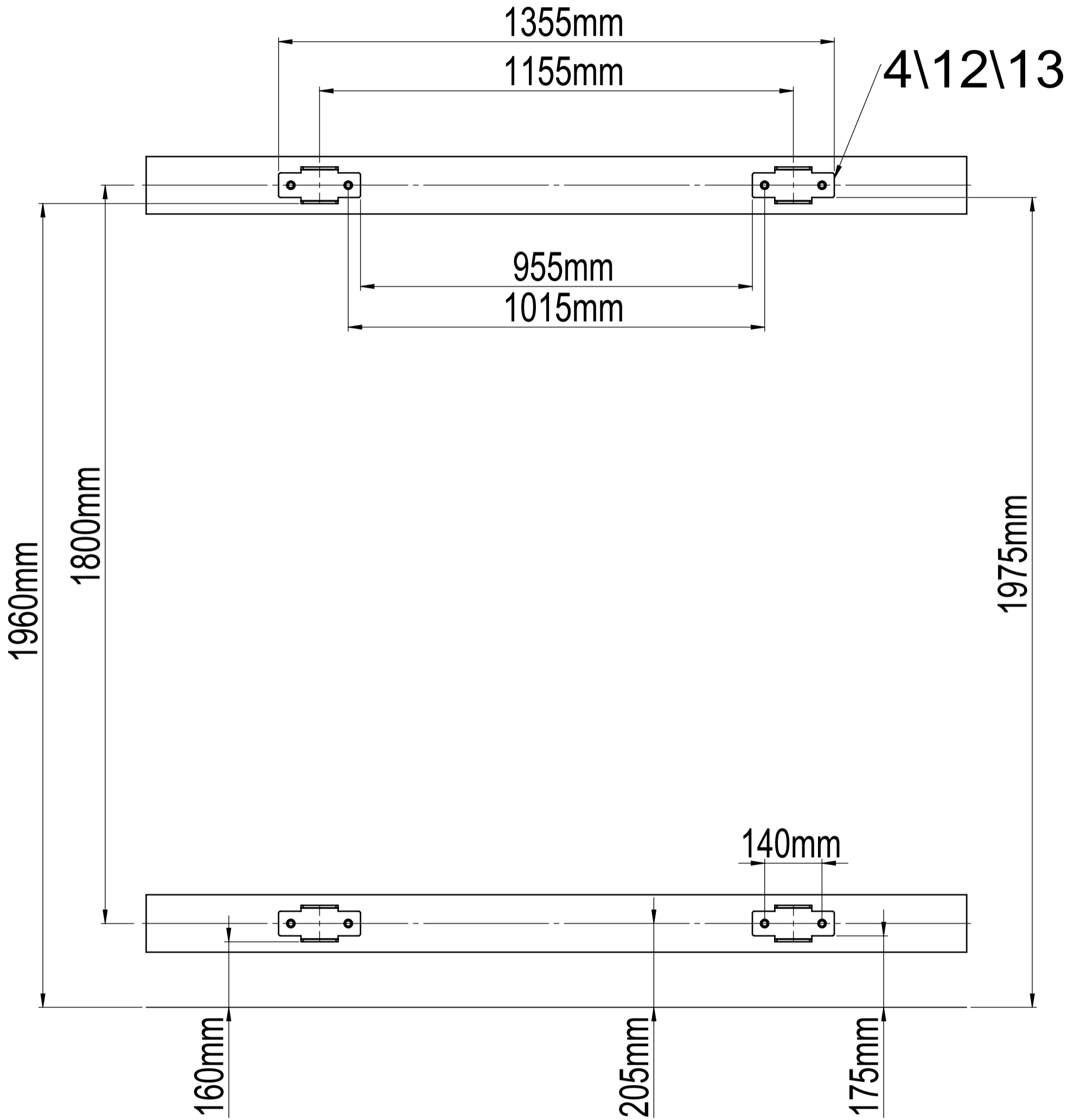
Ed : 08/20

Sammensætning af tilbehør

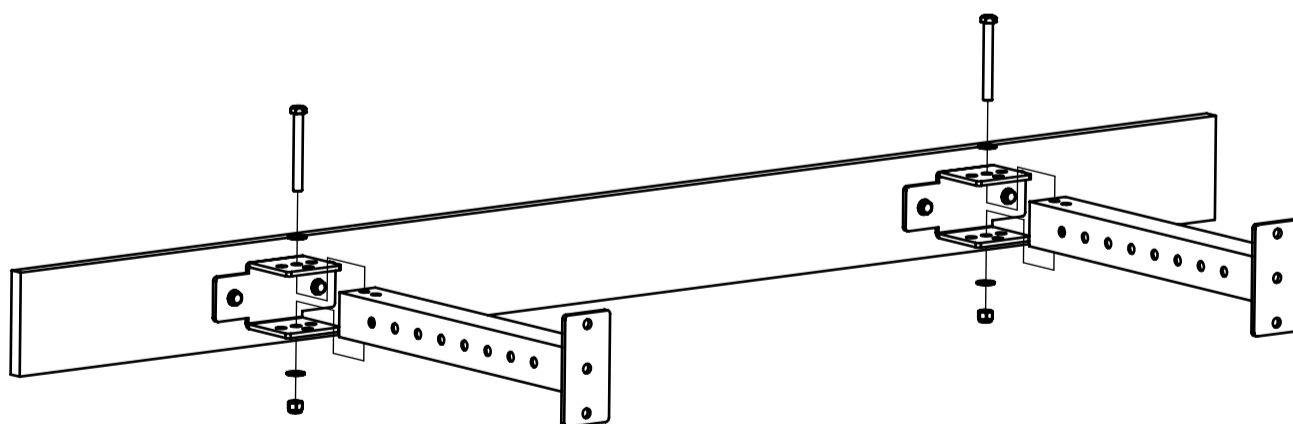
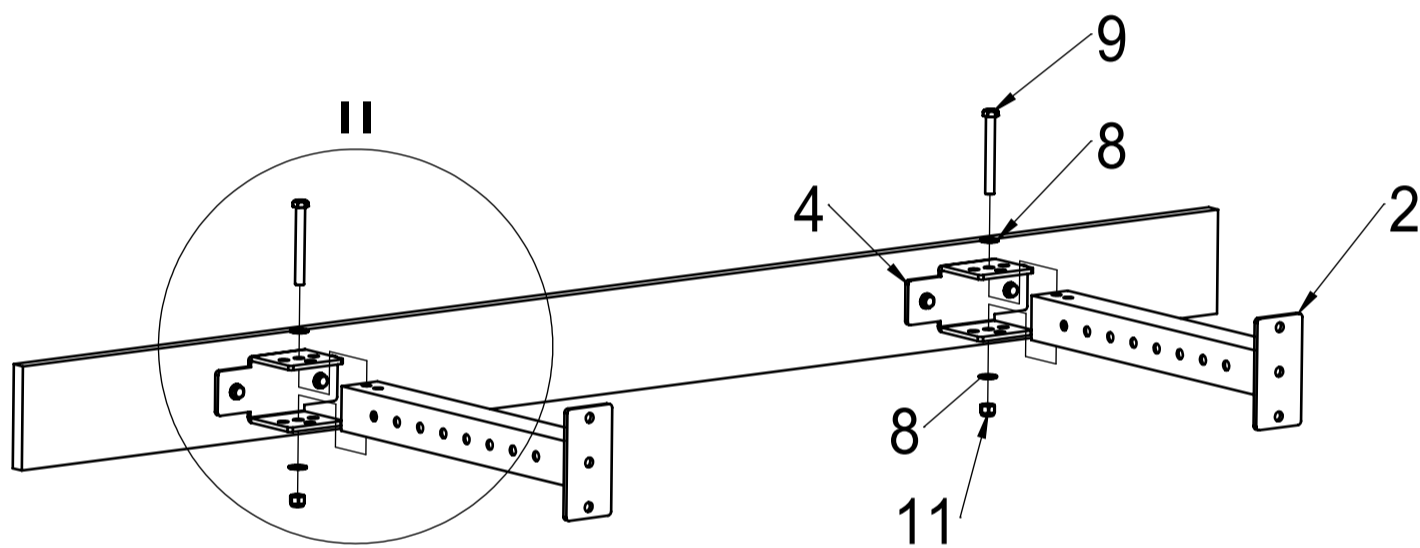
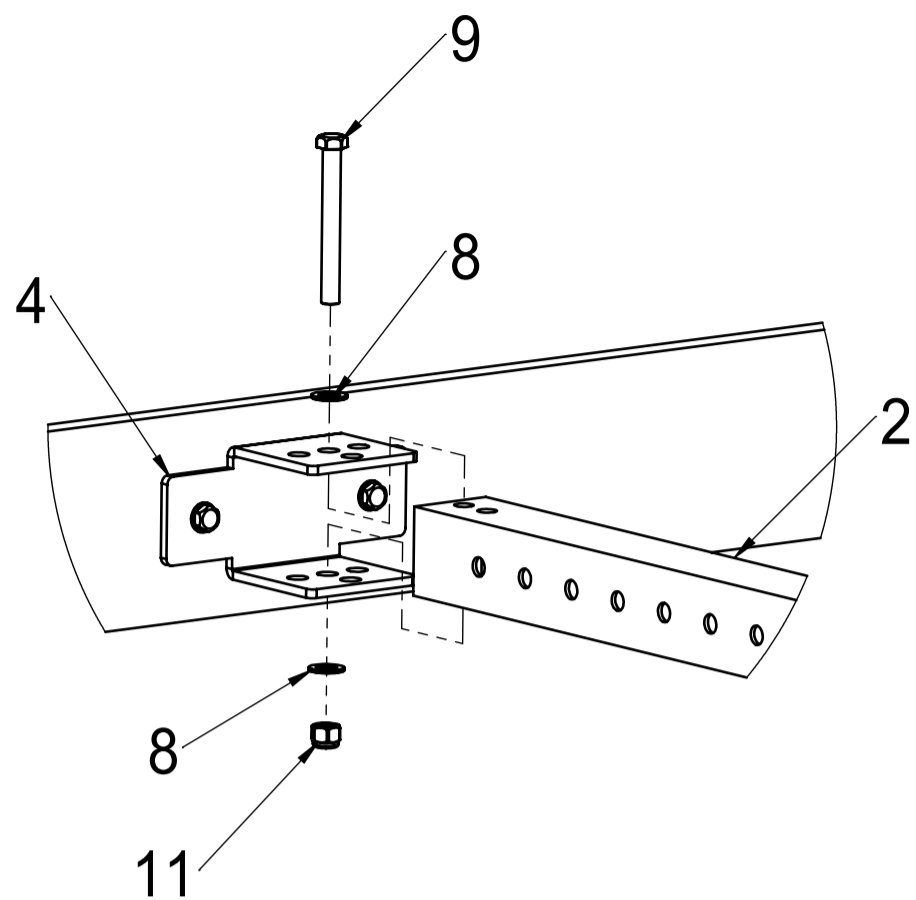
PART NO.	DESCRIPTION	QTY	PART NO.	DESCRIPTION	QTY
1	Stand Tube	2	7	Pin	6
2	Connect Tube	4	8	M12 Washer	24
3	PULL-UP Bar	1	9	M12X105 Hex Bolt	4
4	Hinge	4	10	M12X100 Hex Bolt	8
5	Titan J-Cups	2	11	M12 Nylon Nut	12
6	Quick Pin	6	12	M10X100 Bolt	8
			13	M10 Washer	8



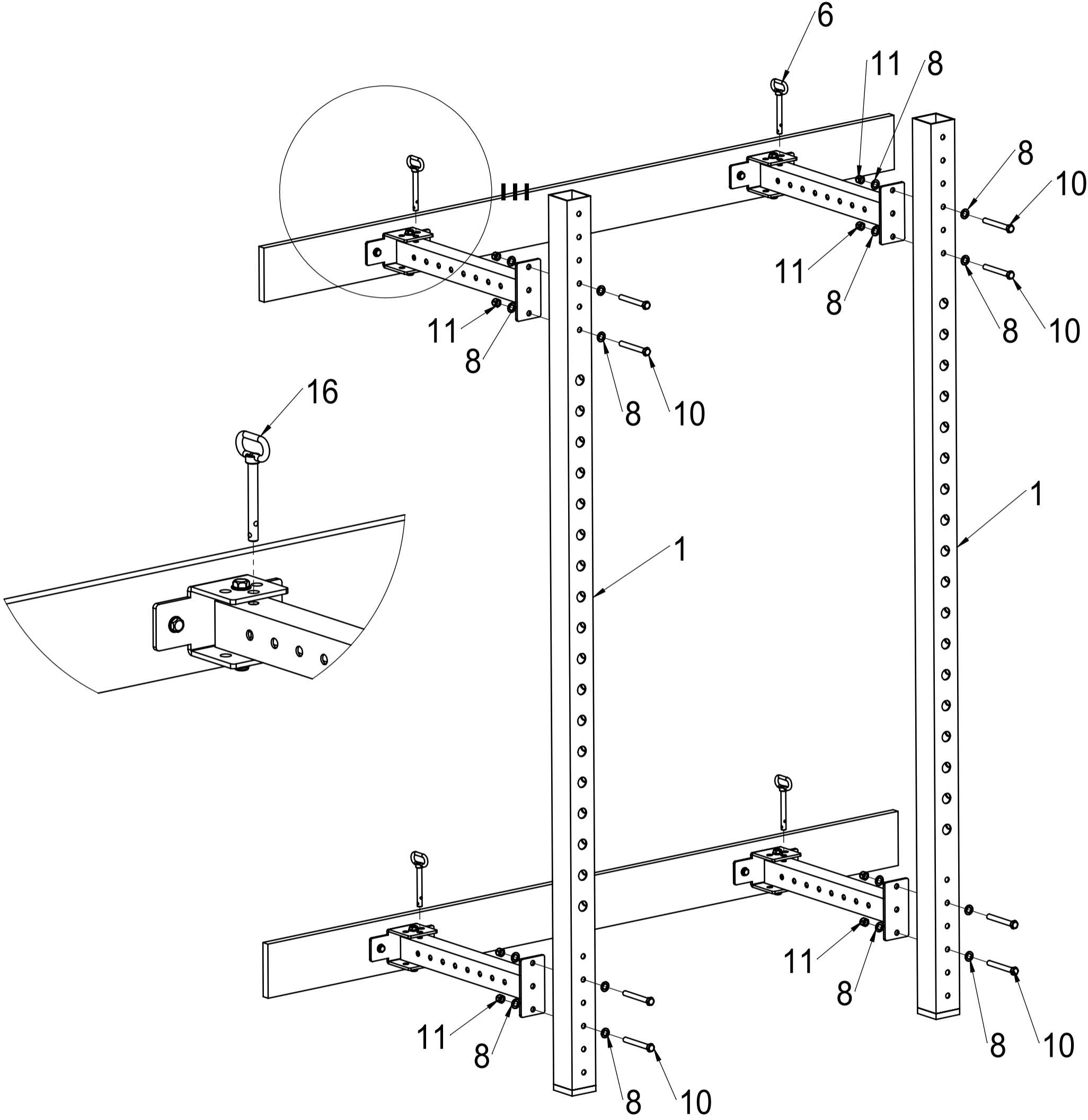
Trin 1



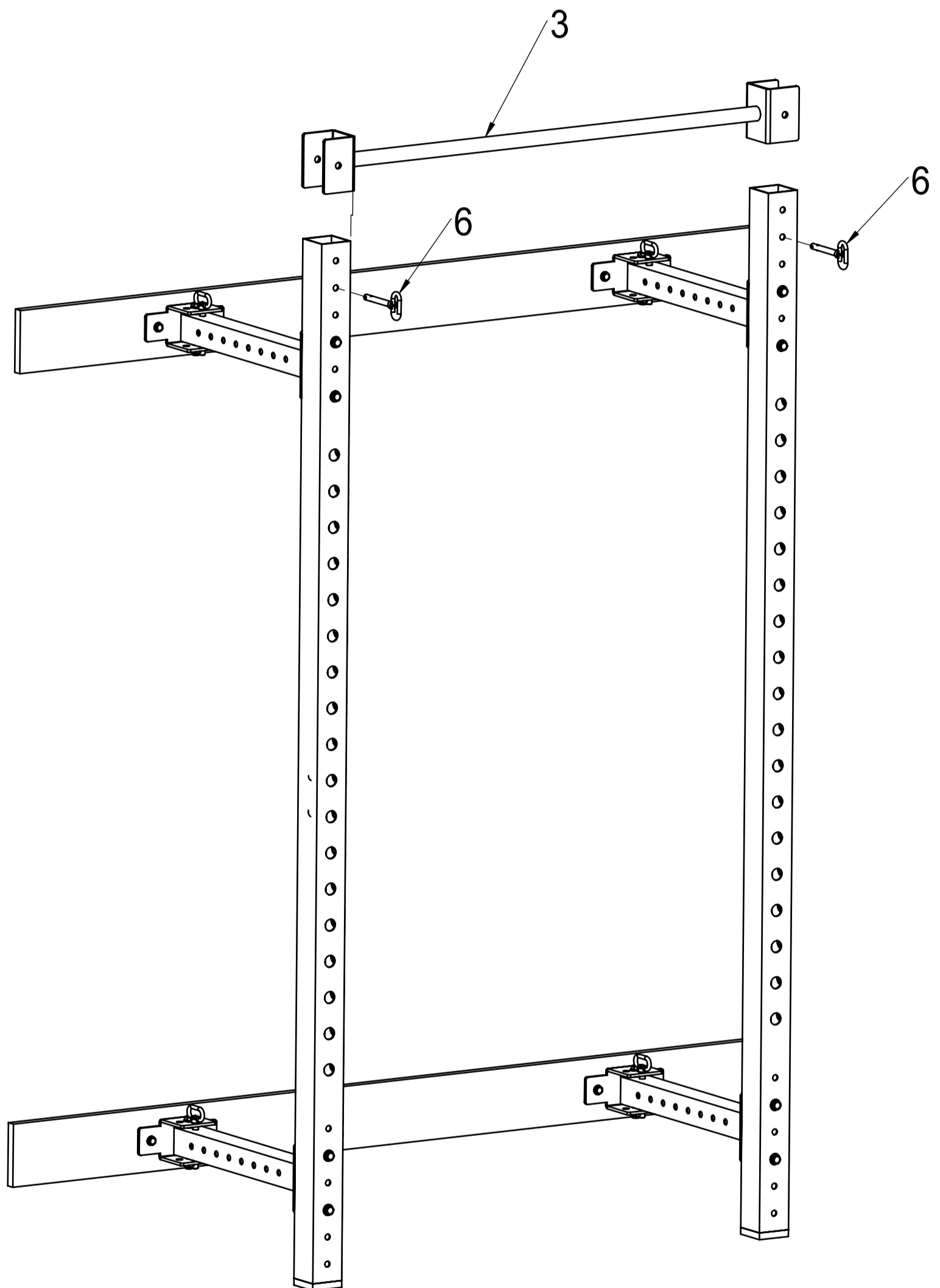
Trin 2



Trin 3



Trin 4





GARLANDO SPA
Via Regione Piemonte, 32 - Zona Industriale D1
15068 - Pozzolo Formigaro (AL) - Italy
www.toorx.it - info@toorx.it